

# PSk2-21 CS-G150-17/4

## Solar Surface Pump System

### System Overview

Head	max. 16 m
Flow rate	max. 306 m³/h

### Technical Data

#### Controller PSk2-21

- High efficiency solar pump controller
- Hybrid power (solar / grid / generator) support with LORENTZ SmartSolution
- Inputs for water meter, pressure sensors, digital switches
- Simple configuration with LORENTZ PumpScanner Android™ App
- Onboard data logging and system monitoring
- Inbuilt applications for constant pressure, constant flow and daily amount
- Integrated Sun Sensor
- Active temperature management
- Integrated MPPT (Maximum Power Point Tracking)

Power	max. 21 kW
Input voltage	max. 850 V
Optimum Vmp**	> 575 V
Motor current	max. 33 A
Efficiency	max. 98 %
Ambient temp.	-30...50 °C
Enclosure class	IP66

#### Motor AC DRIVE CS-G 15kW/4p

- Highly efficient 3-phase AC motor
- Frequency: 25...52 Hz

Efficiency	max. 82 %
Motor speed	740...1.540 rpm
Power factor	0,87
Insulation class	F
Enclosure class	IPX4

#### Pump End PE CS-G150-17/4

- Premium materials
- Centrifugal pump

Efficiency	max. 92 %
------------	-----------

#### Pump Unit PUK2-21 CS-G150-17/4 (Motor, Pump End)

Water temperature	max. 90 °C****
Suction head	acc. to COMPASS sizing

### Standards



2006/42/EC, 2004/108/EC, 2006/95/EC

IEC/EN 61702:1995, IEC/EN 62253 Ed.1

The logos shown reflect the approvals that have been granted for this product family. Products are ordered and supplied with the approvals specific to the market requirements.

\*\*Vmp: MPP-voltage under Standard Test Conditions (STC): 1000 W/m² solar irradiance, 25 °C cell temperature

\*\*\*\*Special solutions available for >90 °C, please consult your distributor

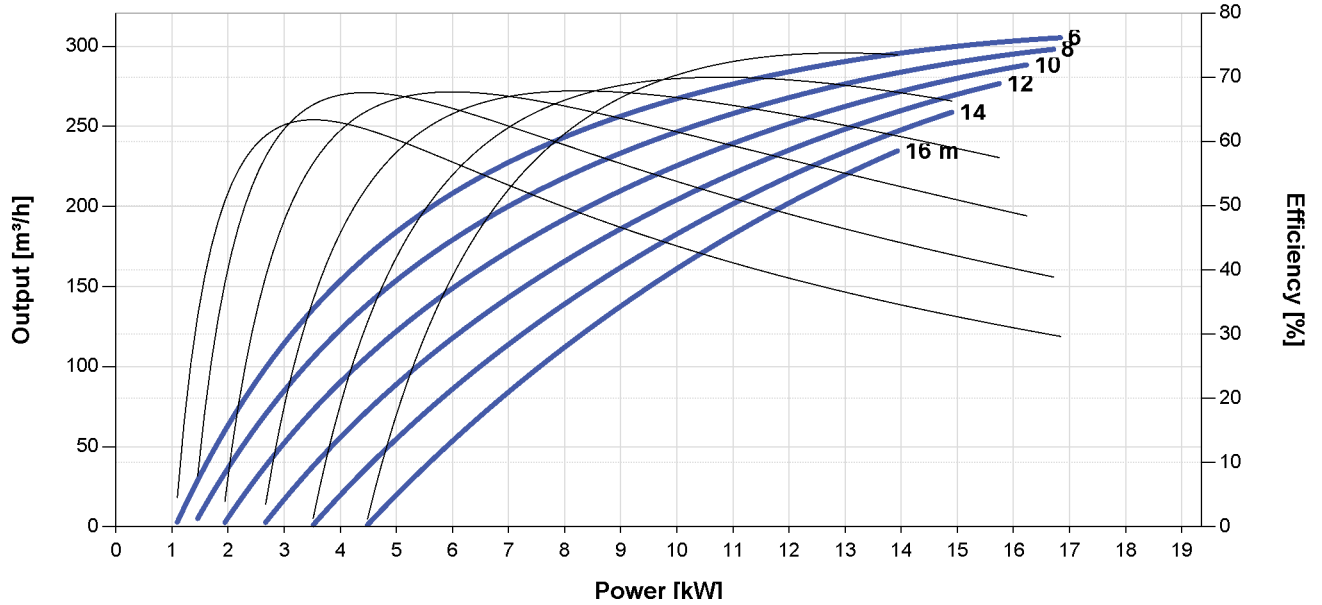


## PSk2-21 CS-G150-17/4

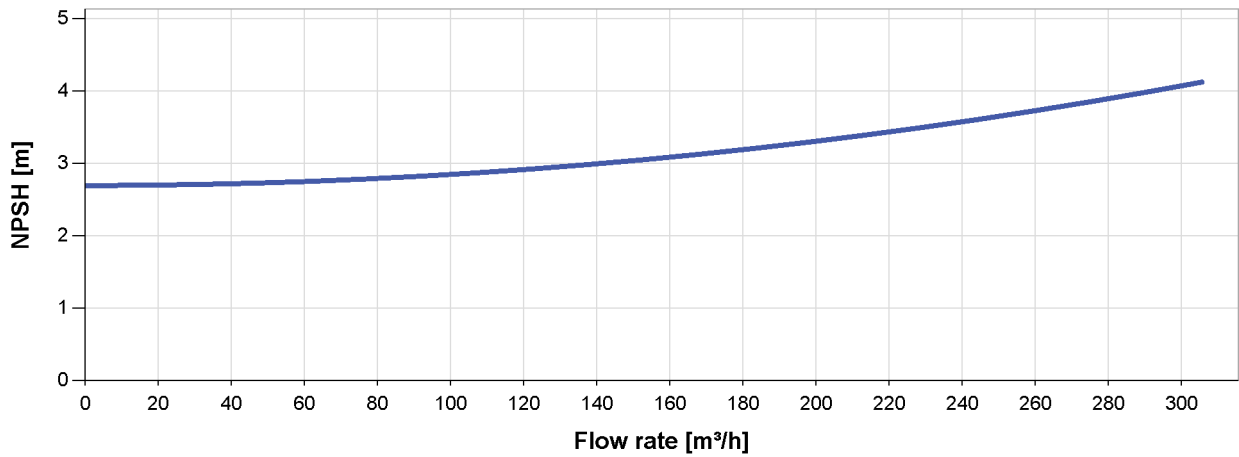
Solar Surface Pump System

### Pump Chart

Vmp\* > 575 V



### NPSH



The NPSH (Net Positive Suction Head) is NOT the operating suction head. To calculate the operating suction head please refer to the installation manual.

\*Vmp: MPP-voltage under Standard Test Conditions (STC): 1000 W/m² solar irradiance, 25 °C cell temperature



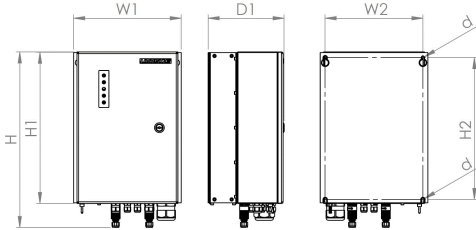
## PSk2-21 CS-G150-17/4

### Solar Surface Pump System

### Dimensions and Weights

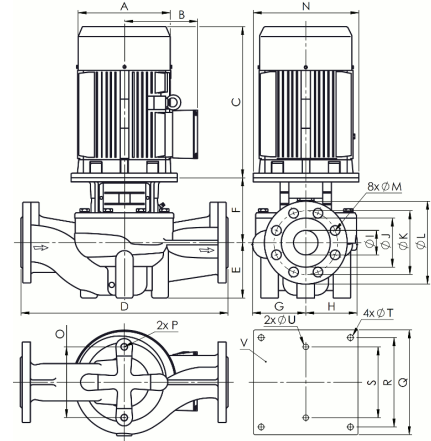
#### Controller

H = 500 mm  
 H1 = 450 mm  
 H2 = 421 mm  
 W1 = 320 mm  
 W2 = 290 mm  
 D = 9,0 mm  
 D1 = 226 mm



#### Pump Unit

A = 315 mm  
 B = 250 mm  
 C = 472 mm  
 D = 800 mm  
 E = 215 mm  
 F = 290 mm  
 G = 217 mm  
 H = 180 mm  
 I = 150 mm  
 J = 212 mm  
 K = 240 mm  
 L = 285 mm  
 M = 22 mm  
 N = 350 mm  
 O = 230 mm  
 P = M16  
 Q = 340 mm  
 R = 290 mm  
 S = 230 mm  
 T = 19 mm  
 U = 18 mm  
 V = 35 mm



	Net weight
Controller	18 kg
Pump Unit	278 kg
Motor	117 kg
Pump End	161 kg

